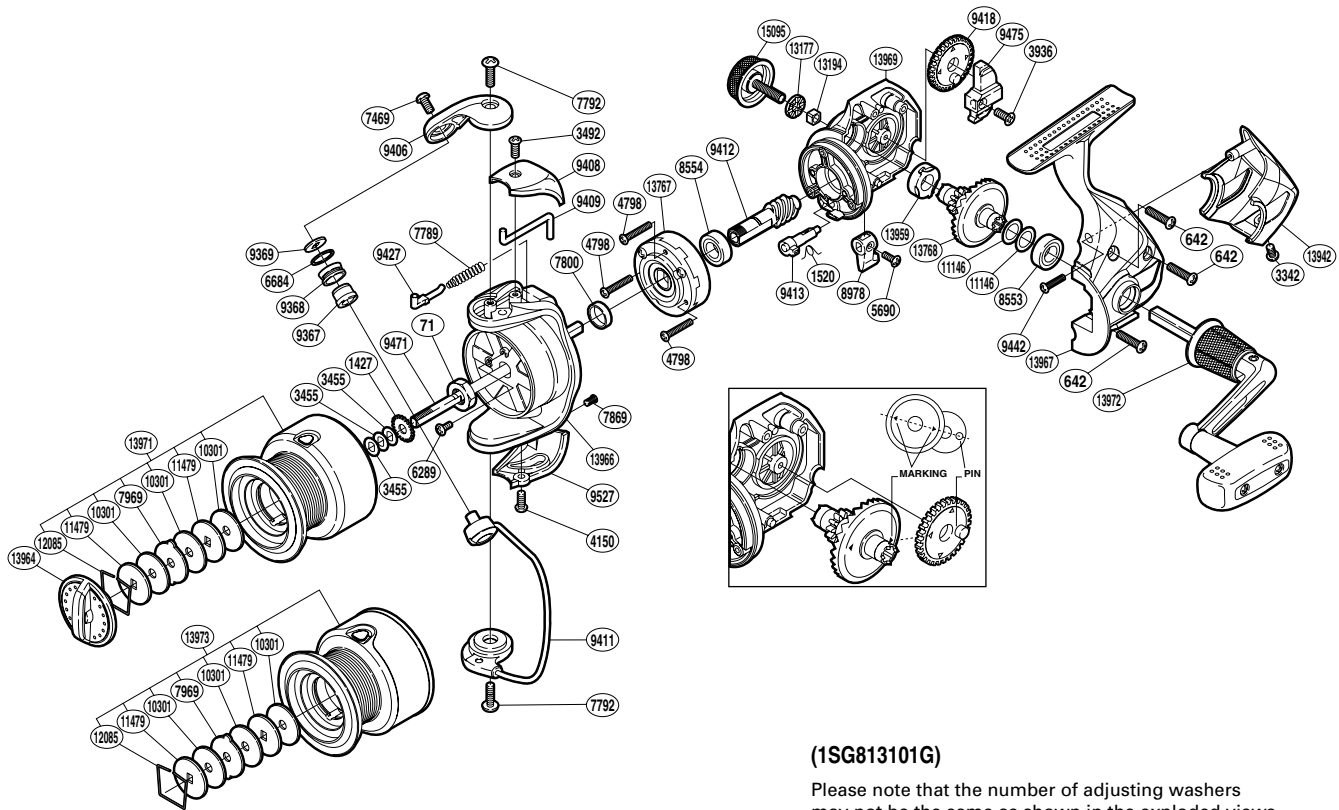


SHIMANO



CAT-3000SFB



(1SG813101G)

Please note that the number of adjusting washers may not be the same as shown in the exploded views. (Adjustment will vary with each individual product.)

Part No.	Description	Part No.	Description	Part No.	Description
RD 0071	Rotor Nut	RD 8553	Ball Bearing	RD11146	Washer
RD 0642	Screw	RD 8554	Ball Bearing	RD11479	Key Washer
RD 1427	Spool Support	RD 8978	Anti-Reverse Lever	RD12085	Drag Washers Retainer
RD 1520	Anti-Reverse Cam Spring	RD 9367	Line Roller Bushing	RD13177	Handle Screw Cap Spacer
RD 3342	Screw	RD 9368	Line Roller	RD13194	Handle Screw Lock
RD 3455	Spool Washer	RD 9369	Line Roller Washer	RD13767	Roller Clutch Assembly
RD 3492	Screw	RD 9406	Bail Arm	RD13768	Drive Gear
RD 3936	Screw	RD 9408	Bail Spring Cover	RD13942	Rear Protector
RD 4150	Screw	RD 9409	Bail Trip Lever	RD13959	Drive Gear Bushing
RD 4798	Screw	RD 9411	Bail Assembly	RD13964	Drag Knob
RD 5690	Screw	RD 9412	Pinion Gear	RD13966	Rotor
RD 6289	Screw	RD 9413	Anti-Reverse Cam	RD13967	Side Cover
RD 6684	Line Roller Spacer	RD 9418	Oscillating Gear	RD13969	Body
RD 7469	Screw	RD 9427	Bail Spring Guide	RD13971	Spool Assembly
RD 7789	Bail Spring	RD 9442	Screw	RD13972	Handle Assembly
RD 7792	Screw	RD 9471	Main Shaft	RD15095	Handle Screw Cap
RD 7800	Rotor Ring	RD 9475	Oscillating Slider		
RD 7869	Screw	RD 9527	Bail Hold Support Guard		
RD 7969	Eared Washer	RD10301	Drag Washer	RD13973	Spare Spool Assembly